



Datasheet

G2 LED Slide Connect Exit Sign

CAT. NO. 686200/LI, 686201/LI, 686203/LI, 686204/LI, 686206/LI,
686207/LI, 686208/LI, 686209/LI, 686211/LI, 686212/LI



Operation Mode	Maintained
Nominal Input Voltage	230 - 240 V a.c. 50 Hz
Power Consumption	3 W
Inrush Current	5 A (peak)
Light Source Life (LSL)	100,000 hrs
Battery	Li-ion 6.4 V, 0.57 Ah
Body Construction	ABS
Diffuser Construction	Polycarbonate
IK Rating	IK04
IP Rating	IP20
Operating Temperature	10° C to 40° C
Product Weight	1.3 kg
Compliance	AS/NZS 2293, AS/NZS 60598
Product Marking	 

G2 LED Slide Connect Exit Sign

CAT. NO. 686200/LI, 686201/LI, 686203/LI, 686204/LI, 686206/LI,
686207/LI, 686208/LI, 686209/LI, 686211/LI, 686212/LI



FEATURES

- Retrofits to previous generation Minitronics Slide Connect bracket.
- One box solution.
- Can be wall, ceiling or cantilever mounted.
- Large terminal block for ease of connection.
- Stand alone and Axiom versions available.
- Low cost maintenance.
- Available in White, Silver and Black body.
- iSmart™ temperature sensing technology for the Li-ion battery.
- Electronics designed to lengthen the life of the battery, minimising maintenance costs.
- Environmentally friendly battery.
- Designed and Manufactured in Australia.
- 5 Year Warranty.

Standalone	
Cat. No.	Description
686200/LI	Maintained LED set of 3xRM Decals SS/DS - White - Li-ion
686208/LI	Maintained LED set of 3xRM Decals SS/DS - Silver - Li-ion
686206/LI	Maintained LED set of 3xRM Decals SS/DS - Black - Li-ion

Axiom	
Cat. No.	Description
686203/LI	Maintained LED set of 3xRM Decals SS/DS - White - Li-ion
686211/LI	Maintained LED set of 3xRM Decals SS/DS - Silver - Li-ion
686207/LI	Maintained LED set of 3xRM Decals SS/DS - Black - Li-ion

Accessories	
Cat. No.	Description
686215	Cantilever bracket - White
686216	Wire suspension Kit, 2 x 6m
686235	Wire guard single sided
686236	Wire guard double sided
686260	Suspension Rod Kit 600 mm - White
686261	Suspension Rod Kit 1200 mm - White
686262	Suspension Rod Kit 3000 mm - White
686263	Suspension Rod Kit 600 mm - Black
686264	Suspension Rod Kit 1200 mm - Black
686265	Suspension Rod Kit 3000 mm - Black
686270	Weatherproof IP65 Enclosure

RM = Running Man, DS = Double-Sided, SS = Single-Sided

SPACING TABLE

Maximum spacing for 0.2 lux (Australia)

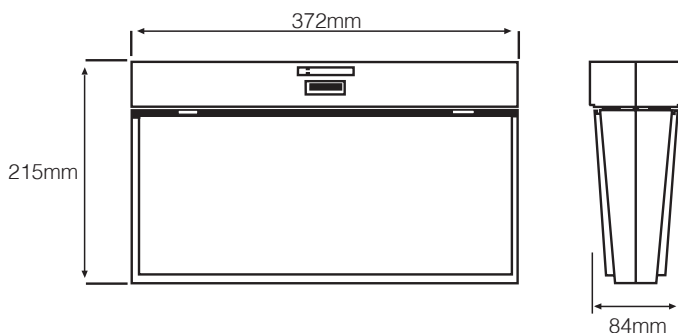
Mounting Height	2.4	2.7	3.0	3.3	3.6	4.0
C ₀ :D4	7.2	7.3	7.3	7.2	7.1	6.9
C ₉₀ :B4	4.6	4.7	4.8	4.9	4.9	4.8

As per AS/NZS 2293:2018

For New Zealand, this exit sign complies with AS/NZS 2293 as an internally illuminated sign without a classification.

Note: Theatre versions have no classification as they are an internally illuminated sign as per AS/NZS 2293.

DIMENSIONS



Legrand - Australia
1300 369 777
www.legrand.com.au
ABN 31 000 102 661

Legrand - New Zealand
0800 476 009
www.legrand.co.nz

Refer to your group buying office, Legrand Sales Representative or Legrand Sales Office for pricing.

Please note: specifications are subject to change without prior notice.

